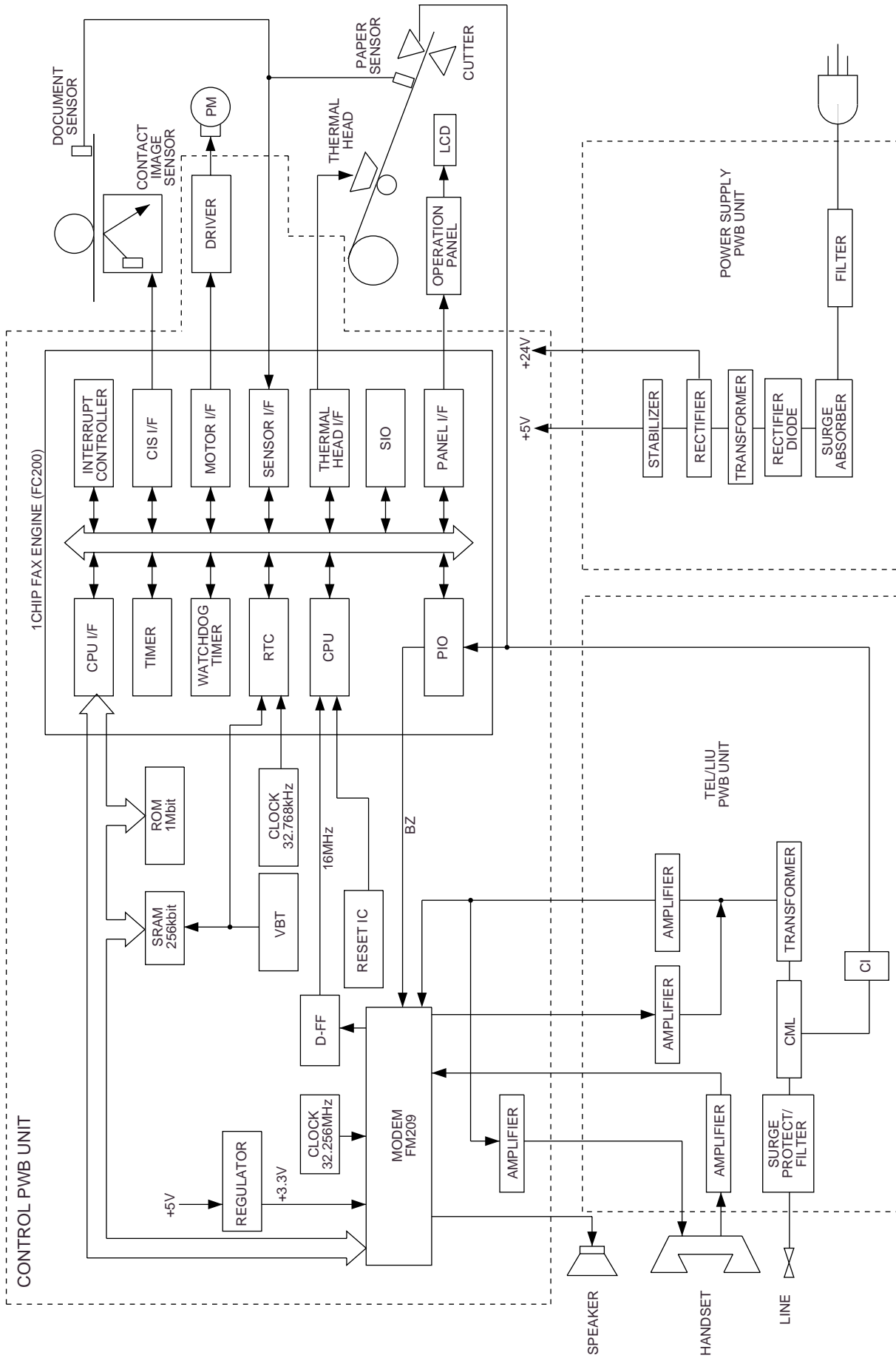
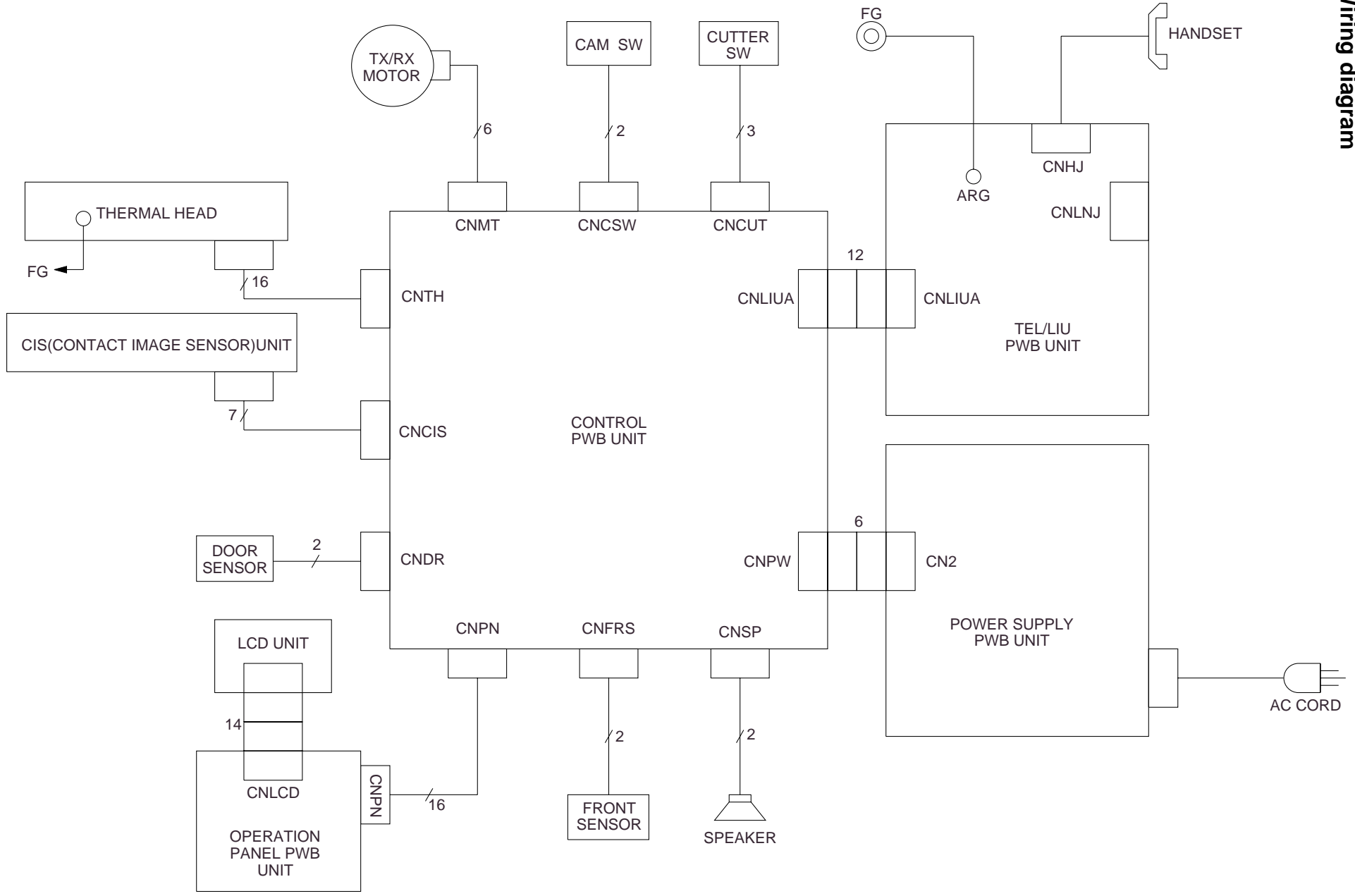


CHAPTER 4. DIAGRAMS

[1] Block diagram



[2] Wiring diagram



4-2

[3] Point- to-point diagram

